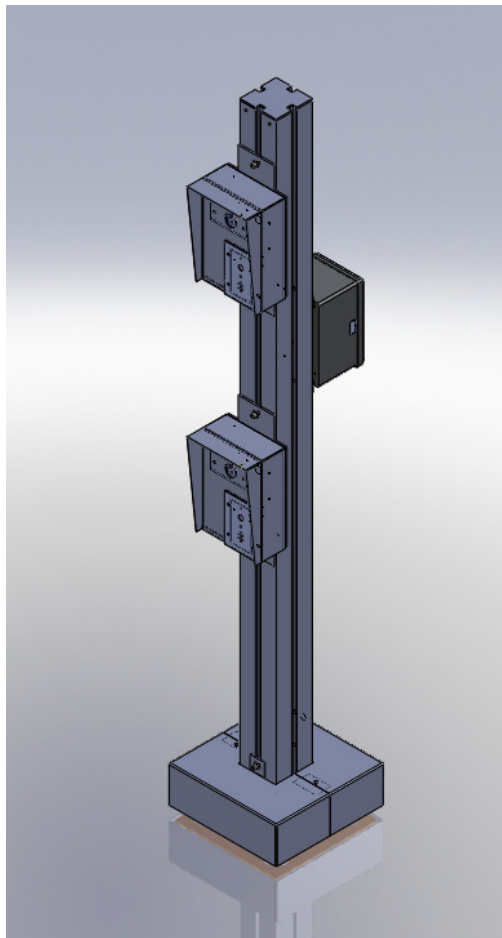


**SERIES 8500**  
**INTEGRATED PERSONNEL & VEHICLE ENTRY CONTROL**



**ENTRY CONTROL ELEMENT 35**

Entry Control Element 35 allows for personnel access in an automobile, motorcycle or truck. The Element includes two CCTV cameras for video assessment, recording and two intercoms at two levels to accommodate height of vehicle, for two way communication with the control center.

## Driver Camera

**Type:**

High Resolution Wide Dynamic Range  
Mini Square Color Camera

**Dimensions:**

1.73" (44mm) X 1.73" (44mm) x .05"  
(12.7mm)

**Weight:**

2.8 Oz (80 grams)

**Power Consumption:**

12VDC @ <3.4 watts

**Environmental Ratings:**

Operating temp : 14°F (-10°C) to  
131°F (55°C)

## IP Door Station

**Dimensions:**

6.4" (16.3cm) x 4.5" (11.4 cm) x 1.9"  
(4.8)

**Power Consumption:**

IEEE802.3af Compliant PoE or 12VDC  
@ 400ma

**Network Connection:**

10Base-T / 100Base-TX

**Finish:**

Brushed 11 gauge Stainless Steel

**Environmental Ratings:**

IP65 Rated

## Element Pole

**Dimensions:**

5" Sq x 84" H

**Weight:**

37.7 lbs

**Material:**

Aluminum 6063-T6 T-Slot extruded  
pole

**Finish:**

Choice of RAL 9010, 9011, or 8008  
powder coat. (Pure White, Graphite  
Black, and Olive Brown, respectively)

**Contact:**

ECSI International, Inc.  
790 Bloomfield Avenue  
Bldg. C-1, Clifton, NJ USA 07012  
Tel: (973) 574-8555  
Fax: (973) 574-8562  
ecsi@ecsiinternational.com  
[www.ecsiinternational.com](http://www.ecsiinternational.com)



ISO 9001:2008 Registered