
HIGHLIGHTS

- ❖ Auto day/night functionality
- ❖ 3D DNR (Digital Noise Reduction)
- ❖ Optical Defog & Digital Defog
- ❖ 4000 * 3000 Resolution Supported



Camera Features

- ❖ H.265, H.264, MJPEG
- ❖ Embedded Video Analytics
- ❖ Triple streams
- ❖ ROI (Region of Interest)
- ❖ 9:16 corridor format
- ❖ Optional network interfaces with Ethernet RJ45 and optical SFP
- ❖ ONVIF (Open Network Video Interface Forum) conformance software that ensures greater interoperability and more flexibility in building multiple-vendor systems
- ❖ AC 24V /DC 12 V/PoE with uninterruptible power supply
- ❖ Wide temperature range: -20°C to 60°C (-4°F to 140°F)
- ❖ Wide voltage range of $\pm 25\%$
- ❖ 6 KV surge protection designed for network interface

Specifications

IMAGING

Sensor	1/1.7" CMOS, progressive scan
Shutter	Auto/Manual, 1/6~1/100000 s
Min. Illumination	Colour: 0.06 Lux (F1.2, AGC ON) 0 Lux with IR
Lens Mount	CS
DC-Iris	DC 4V (4-Pin)
Motor Zoom/focus	DC 5V (4-Pin)
Day/Night	Automatically removable IR-cut filter(ICR)
S/N	>55dB
WDR	Digital

VIDEO

Max. Resolution	4000 x 3000
Video Compression	H.265, H.264, MJPEG
Frame Rate	12MP (4000 x 3000): Max. 20 fps; 4K (3840 x 2160): Max. 30 fps
Video Streaming	Triple
9:16 Corridor Mode	Supported
ROI	Supported
Defog	Optical Defog & Digital Defog
HLC	Supported
OSD	Up to 8 OSDs
Privacy Mask	Up to 4 areas

VIDEO ANALYTICS

Behavior Detection	Intrusion, crossing line, motion detection
Exception Detection	Audio detection
Intelligent Identification	Face detection
Statistical Analysis	People counting

STORAGE

Edge Storage	Micro SD, Up to 128 GB
--------------	------------------------

INTERFACES & CONTROL

Protocols	L2TP, IPv4, IGMP, ICMP, ARP, TCP, UDP, DHCP, PPPoE, RTP, RTSP, RTCP, DNS, DDNS, NTP, FTP, UPnP, HTTP, HTTPS, SMTP, 802.1x
Compatible Integration	ONVIF, API
Audio Compression	G.711
Two-way audio	Supported
Audio I/O	3.5 mm audio interface Input: impedance 35 k Ω ; amplitude 2 V [p-p] Output: impedance 600 Ω ; amplitude 2 V [p-p]
Alarm I/O	2 / 1
Network	100M/1000M Base-FX SFP + 100M/1000M Base-TX Ethernet
Video Output	1 BNC, impedance 75 Ω ; amplitude 1 V [p-p]
Serial	1 RS485 (support Pelco-D/P)

POWER

Power	24 V AC, 12 V DC, or PoE (IEEE802.3 af) Power consumption: 6.5W (9.5W with ICR on)
-------	---

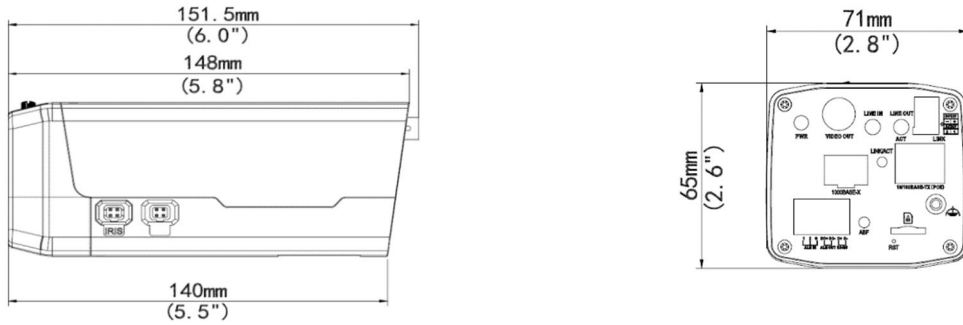
PHYSICAL

Dimensions (L x W x H)	151.5 x 71 x 65 mm (6.0" x 2.8" x 2.6") (excluding the lens)
Weight	0.48 kg (1.1 lb)

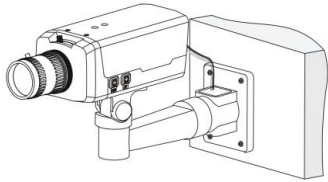
ENVIRONMENTAL

Working Environment	-20° C ~ 60° C (-4° F ~ 140° F), Humidity \leq 95% RH(non-condensing)
---------------------	---

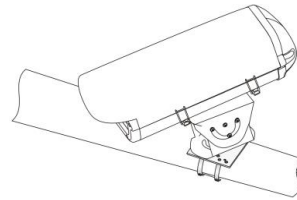
Dimensions



Installation



Bare Mount



Housing Mount

Accessories

Installation mode	Accessories	Description
Bare mount	EC-WM06-A-IN	Indoor wall, pendant, or desktop installation
Housing mount	Indoor housing: EC-HS-L12-ID Outdoor housing: EC-HS-L16, EC-HS-L16-EOD	Outdoor installation
Corridor Format mount	L-shaped mount: EC-BC-LFM	/

ECSI International, Inc.

790 Bloomfield Avenue, Bldg. C-1

Clifton, NJ USA 07012

Voice 973-574-8555

FAX 973-574-8562

www.ecsiinternational.com

ISO 9001:2000 Registered